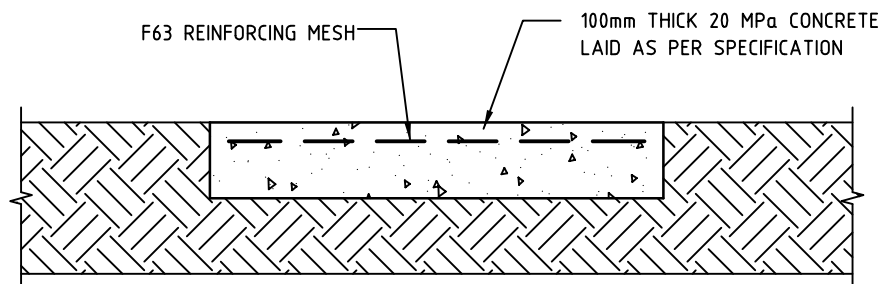


PLAN



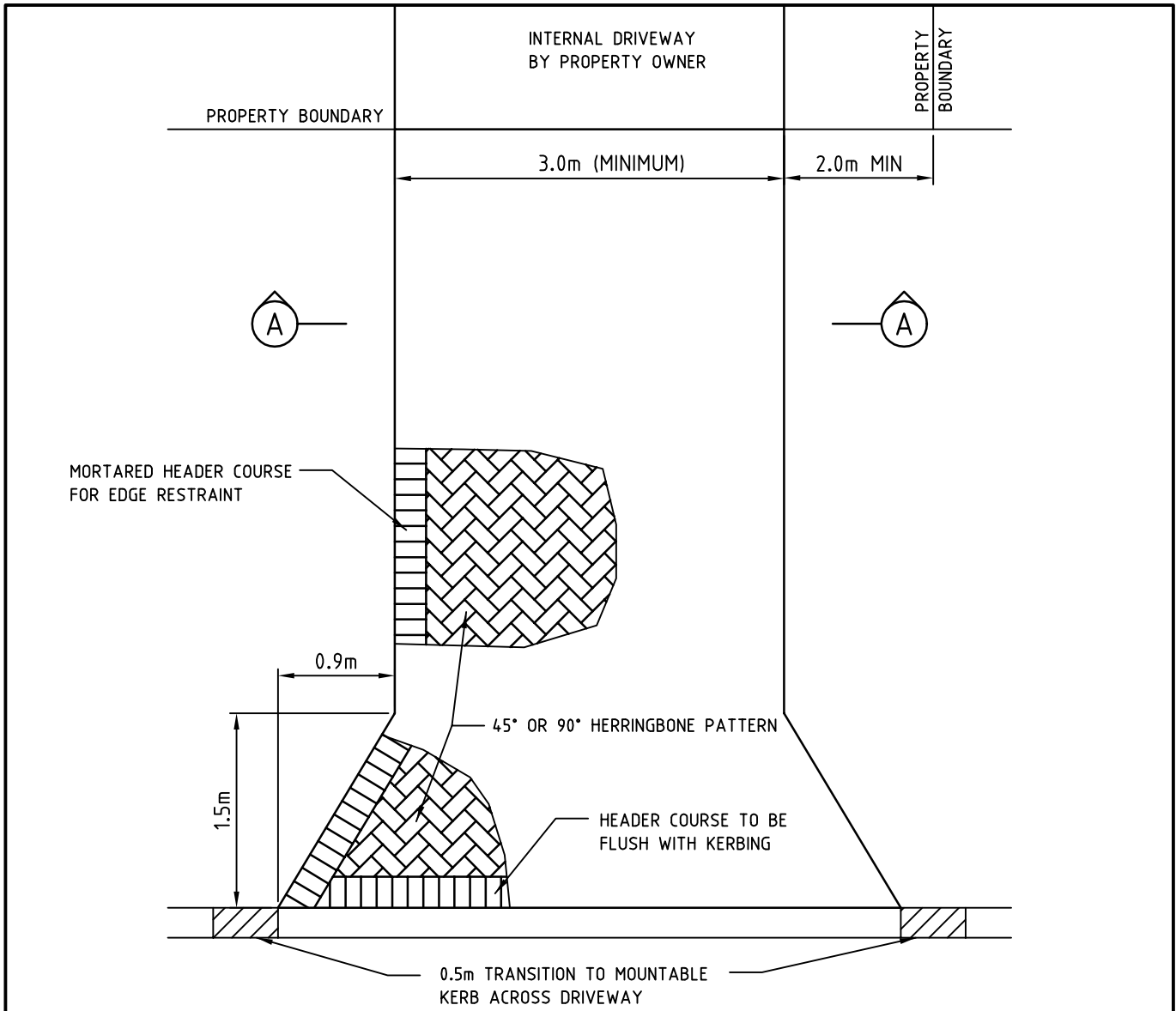
SECTION (A)



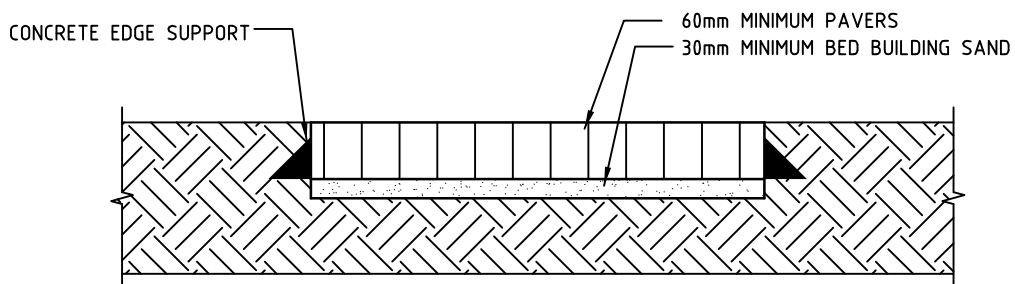
CROSSOVER LAYOUT  
URBAN RESIDENTIAL  
CONCRETE

DRAWING NUMBER

DN01



PLAN



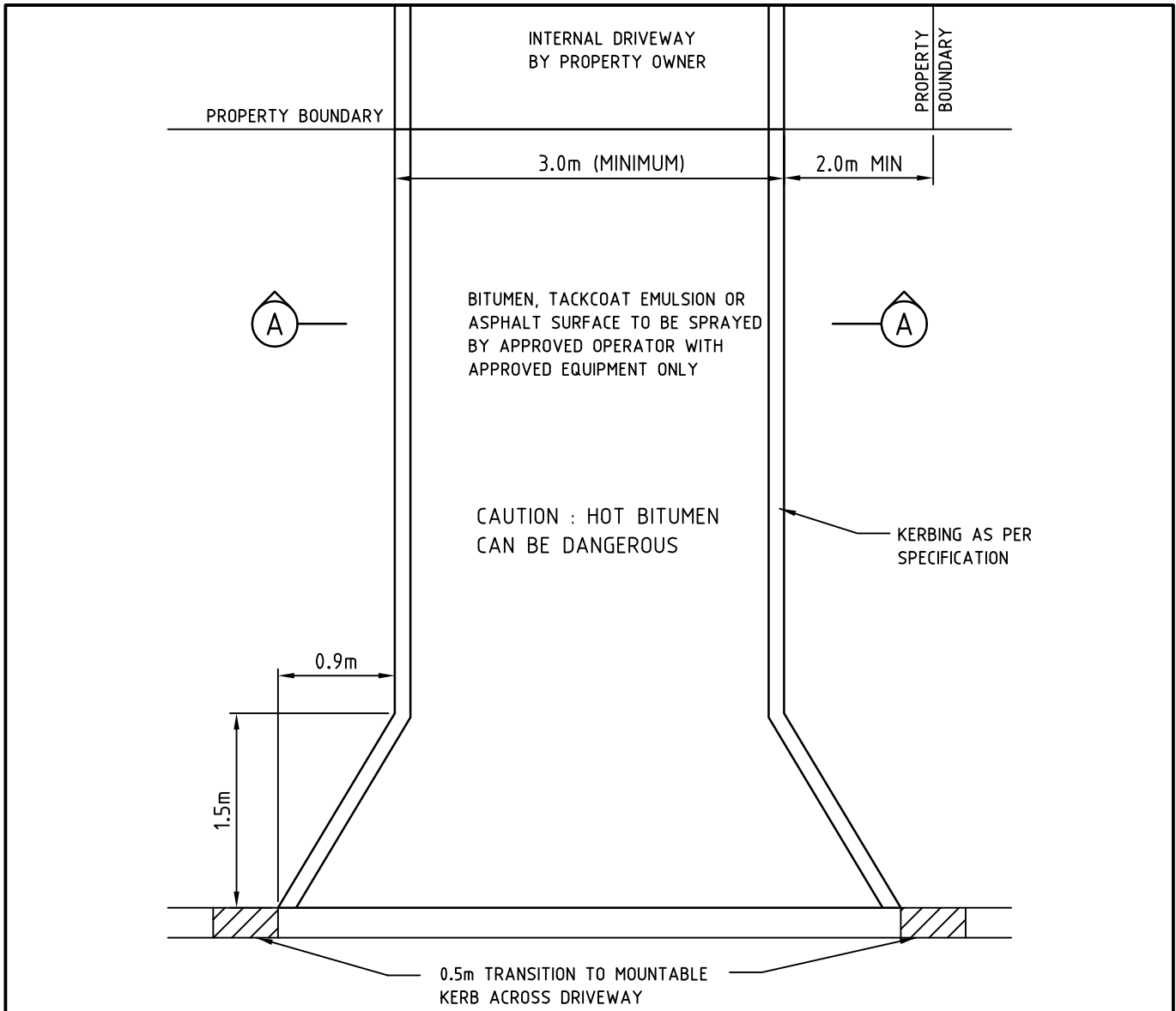
SECTION (A)



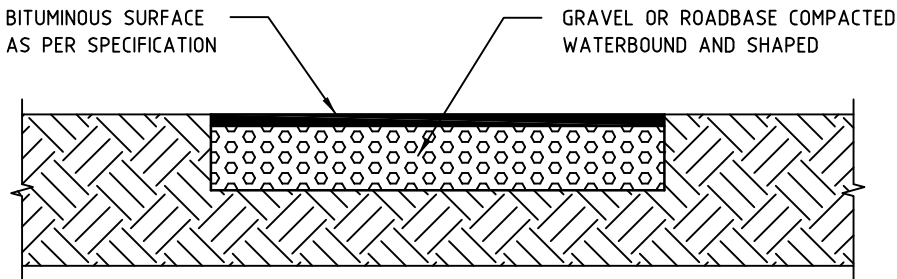
CROSSOVER LAYOUT  
URBAN RESIDENTIAL  
BRICK PAVERS

DRAWING NUMBER

DN02



PLAN

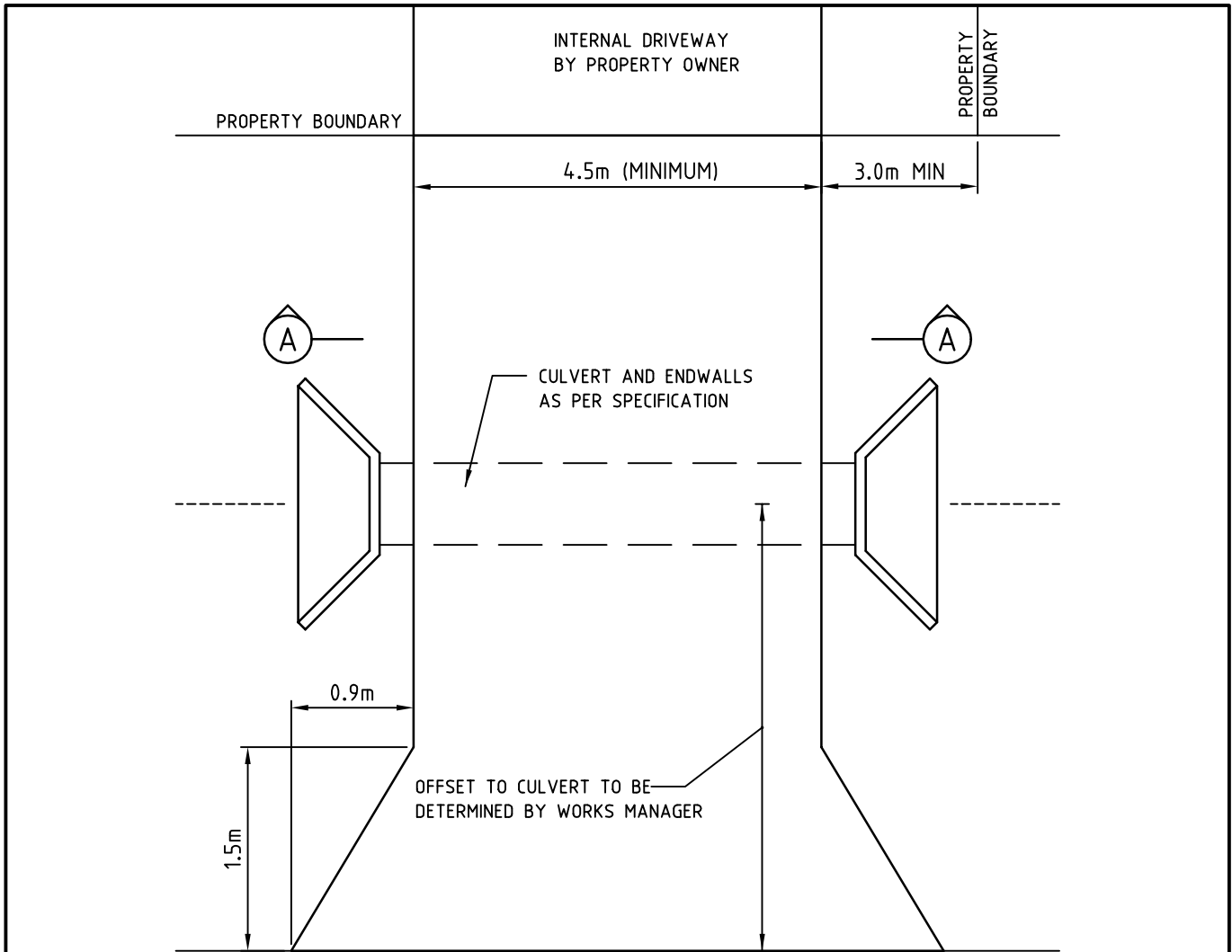


SECTION (A)

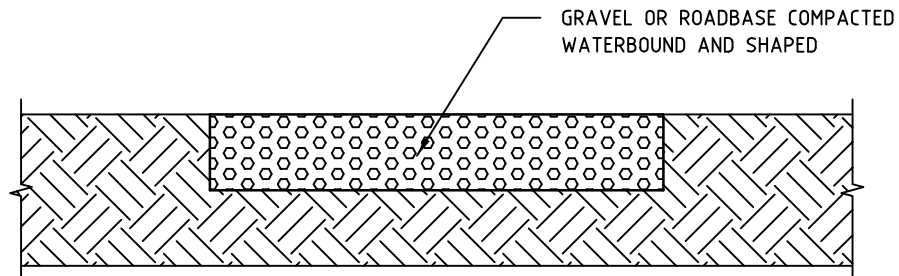


CROSSOVER LAYOUT  
URBAN RESIDENTIAL  
BITUMINOUS SURFACE

DRAWING NUMBER  
DN03



PLAN



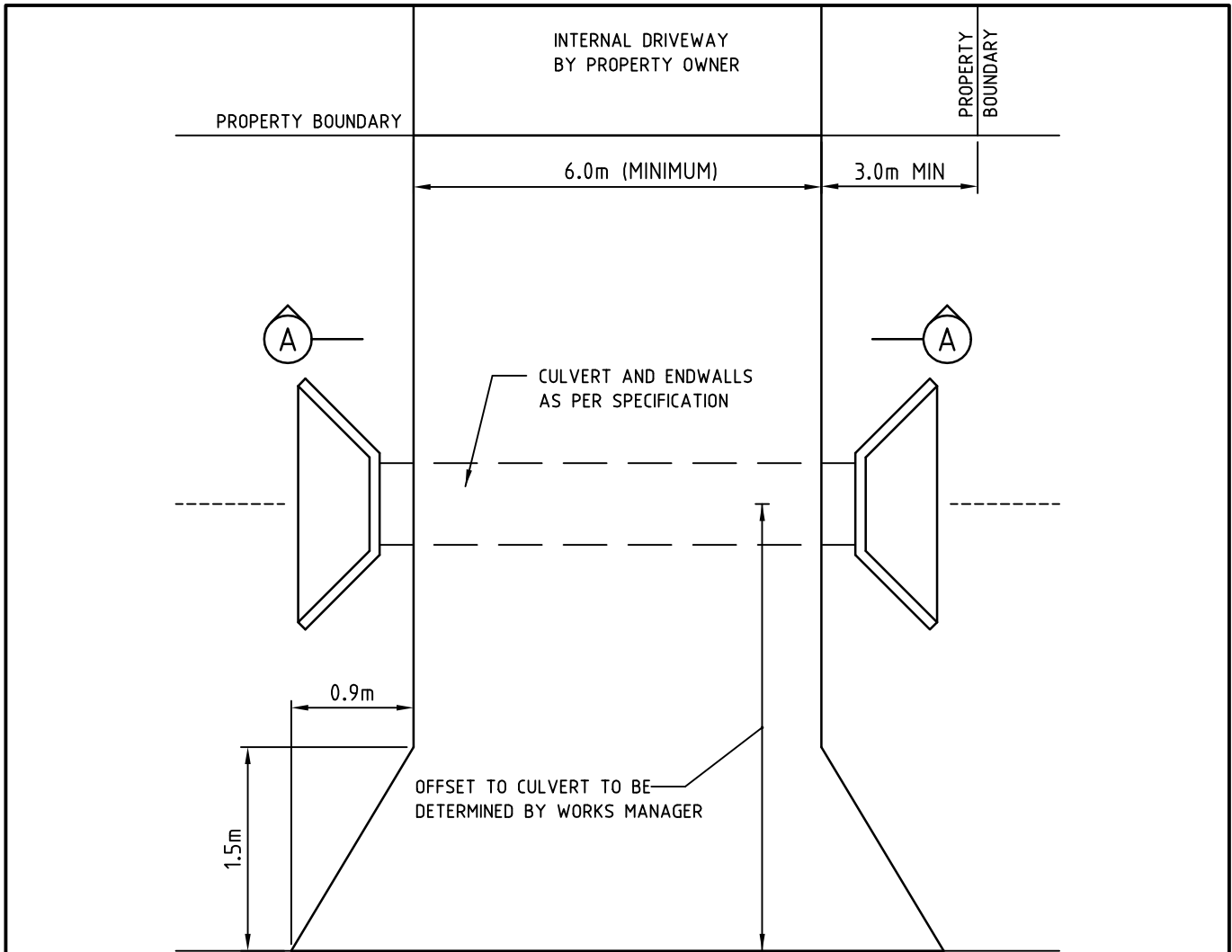
SECTION (A)



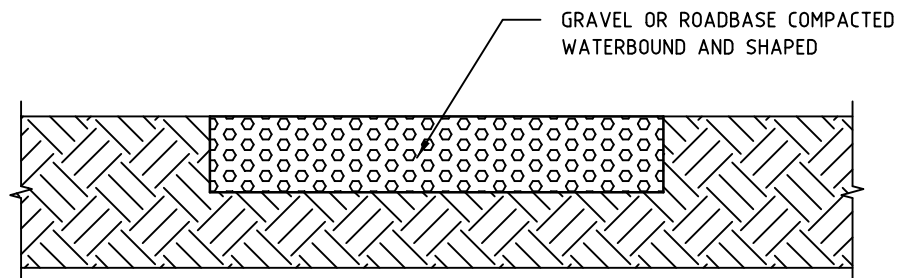
CROSSOVER LAYOUT  
SPECIAL RURAL

DRAWING NUMBER

DN04



PLAN



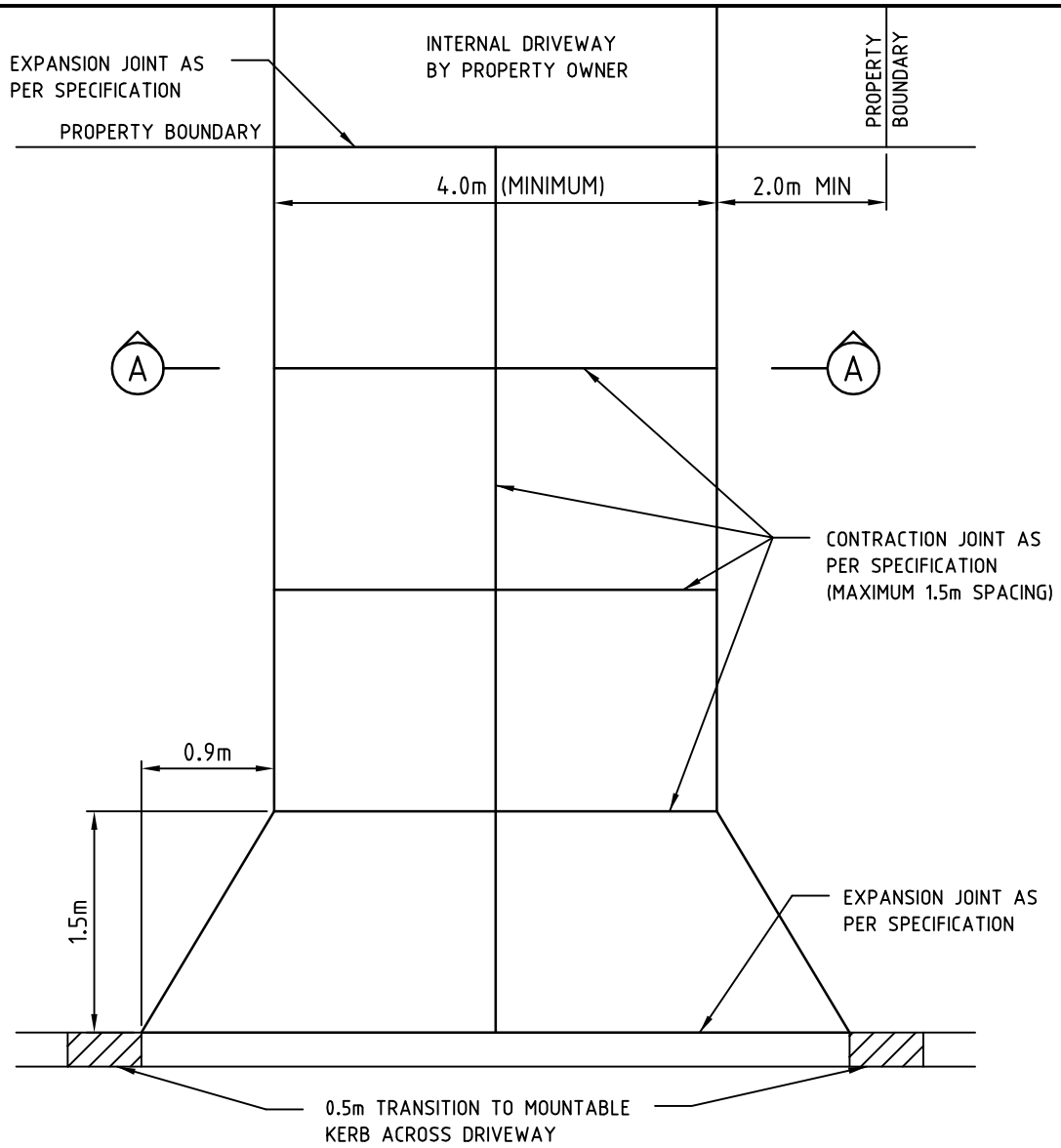
SECTION (A)



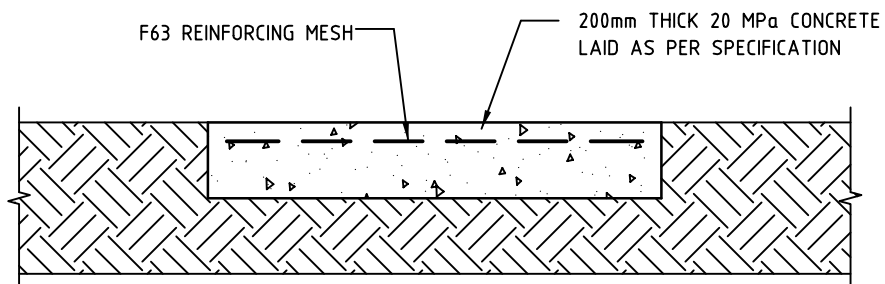
CROSSOVER LAYOUT  
RURAL

DRAWING NUMBER

DN05



PLAN



SECTION (A)



CROSSOVER LAYOUT  
INDUSTRIAL  
CONCRETE

DRAWING NUMBER

DN06